

# ENERGIZER CR1220

# Lithium Coin

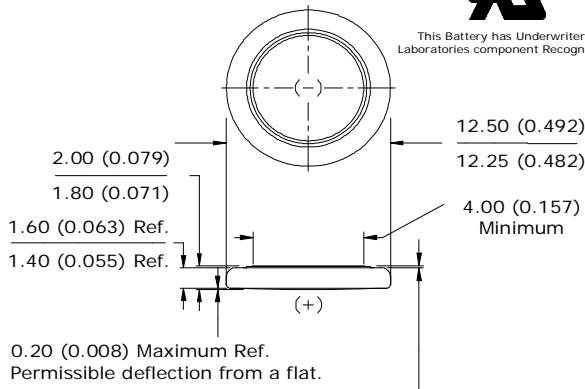


## Industry Standard Dimensions

mm (inches)



This Battery has Underwriters Laboratories component Recognition



## Specifications

<b>Classification:</b>	"Lithium Coin"
<b>Chemical System:</b>	Lithium / Manganese Dioxide (Li/MnO <sub>2</sub> )
<b>Designation:</b>	ANSI-5012LC, IEC-CR1220
<b>Nominal Voltage:</b>	3.0 Volts
<b>Typical Capacity:</b>	40 mAh (to 2.0 volts) (Rated at 45K ohms at 21°C)
<b>Typical Weight:</b>	0.78 grams (0.03 oz.)
<b>Typical Volume:</b>	0.25 cubic centimeters (0.02 cubic inch)
<b>Max Rev Charge:</b>	1 microampere
<b>Energy Density:</b>	153 milliwatt hr/g, 464 milliwatt hr/cc
<b>Typical Li Content:</b>	0.006 grams (0.0002 oz.)
<b>UL Listed:</b>	MH12454
<b>Shipping:</b>	For complete details, please reference: Global (except US): Special Provision A45 of the International Air Transport Association Dangerous Goods Regulations United States: 49 CFR 173.185

### Safety :



**1) KEEP OUT OF REACH OF CHILDREN.** Swallowing may lead to serious injury or death in as little as 2 hours due to chemical burns and potential perforation of the esophagus. **Immediately see doctor; have doctor phone (202) 625-3333.**

**(2) Battery compartment design.** To prevent children from removing batteries, battery compartments should be designed with one of the following methods: a) a tool such as screwdriver or coin is required to open battery compartment or b) the battery compartment door/cover requires the application of a minimum of two independent and simultaneous movements of the securing mechanism to open by hand. Screws should remain captive with the battery door or cover.

## Simulated Application test

Typical Performance at 21°C (70°F)

Schedule:	Typical Drains: at 2.85V (mA)	Load (ohms)	Cutoff 2.0V (hours)
Continuous	0.064	45,000	628

## Internal Resistance Characteristics

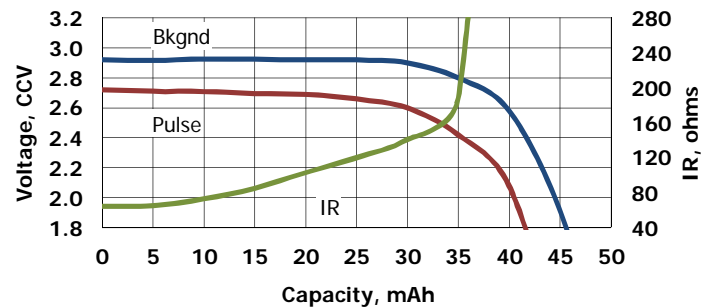
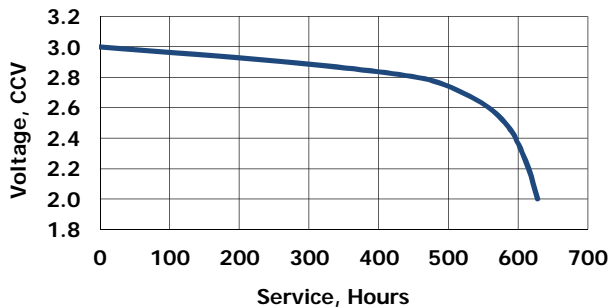
Pulse Test at 21°C (70°F)

**Bkgnd Drain:** Continuous  
62K ohms  
0.046 mA @2.85V

**Pulse Drain:** 2 seconds X 12 times/day  
1K ohms  
2.8 mA @2.65V

## Typical Discharge Characteristics

Load: 45K ohms - Continuous  
Typical Drain @ 2.9V: 0.064 mA



### Important Notice

This datasheet contains typical information specific to products manufactured at the time of its publication.  
©Energizer Holdings, Inc. - Contents herein do not constitute a warranty.