

# ENERGIZER CR1616

# Lithium Coin

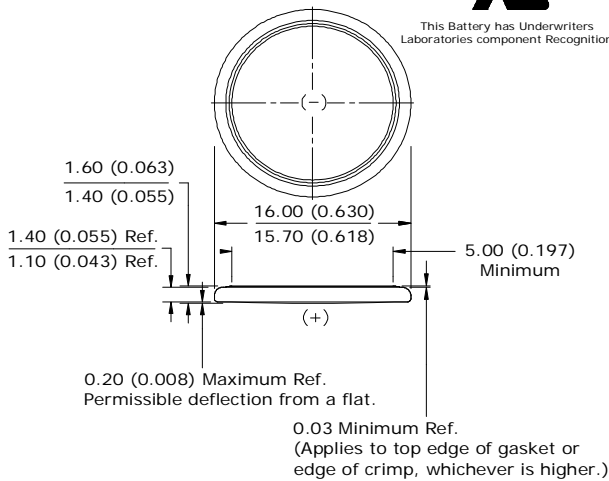


## Industry Standard Dimensions

mm (inches)



This Battery has Underwriters Laboratories component Recognition



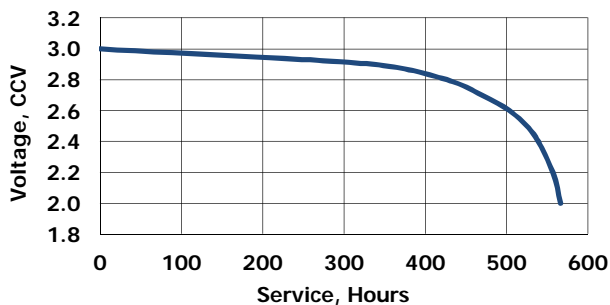
## Simulated Application test

Typical Performance at 21°C (70°F)

Schedule:	Typical Drains: at 2.9V (mA)	Load (ohms)	Cutoff 2.0V (hours)
Continuous	0.097	30,000	567

## Typical Discharge Characteristics

Load: 30K ohms - Continuous  
Typical Drain @ 2.9V: 0.097 mA

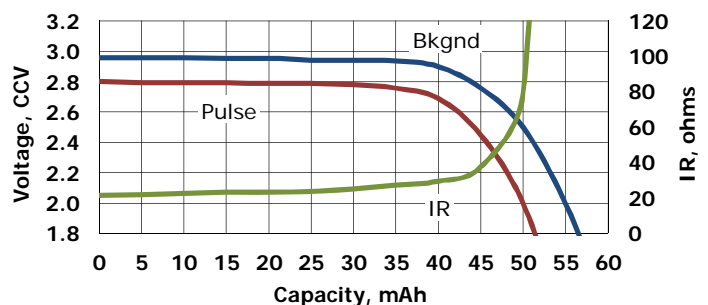


## Internal Resistance Characteristics

Pulse Test at 21°C (70°F)

**Bkgnd Drain:** Continuous  
30K ohms  
0.097 mA @2.9V

**Pulse Drain:** 2 seconds X 12 times/day  
400 ohms  
6.6 mA @2.65V



## Important Notice

This datasheet contains typical information specific to products manufactured at the time of its publication.  
©Energizer Holdings, Inc. - Contents herein do not constitute a warranty.

## Specifications

**Classification:** "Lithium Coin"  
**Chemical System:** Lithium / Manganese Dioxide (Li/MnO<sub>2</sub>)  
**Designation:** IEC-CR1616  
**Nominal Voltage:** 3.0 Volts  
**Typical Capacity:** 55 mAh (to 2.0 volts)  
 (Rated at 30K ohms at 21°C)  
**Typical Weight:** 1.1 grams (0.04 oz.)  
**Typical Volume:** 0.32 cubic centimeters (0.02 cubic inch)  
**Max Rev Charge:** 1 microampere  
**Energy Density:** 133 milliwatt hr/g, 498 milliwatt hr/cc  
**Typical Li Content:** 0.014 grams (0.0005 oz.)  
**UL Listed:** MH12454  
**Shipping:** For complete details, please reference:  
 Global (except US): Special Provision A45 of the International  
 Air Transport Association Dangerous  
 Goods Regulations  
 United States: 49 CFR 173.185

### Safety:



**(1) KEEP OUT OF REACH OF CHILDREN.** Swallowing may lead to serious injury or death in as little as 2 hours due to chemical burns and potential perforation of the esophagus. **Immediately see doctor; have doctor phone (202) 625-3333.**

**(2) Battery compartment design.** To prevent children from removing batteries, battery compartments should be designed with one of the following methods: a) a tool such as screwdriver or coin is required to open battery compartment or b) the battery compartment door/cover requires the application of a minimum of two independent and simultaneous movements of the securing mechanism to open by hand. Screws should remain captive with the battery door or cover.